



## Advanced Configuration

XE215C, featuring high efficiency and energy conservation, is mainly used for earth working conditions. The powerful Isuzu BB-4BG1TRP engine and high-end Kawasaki hydraulic system are matched perfectly, which can guarantee the product reliability and define high-efficiency operation and fuel economy. With strengthened structural parts, it is applicable for earth working, road construction and municipal engineering, and allow you to get digging and loading operations done easily.

### Ecological and economical

- ▶ Customized high-power engine is more powerful
  - ▶ Adopting XCMG's proprietary matching technology to achieve higher operation efficiency and lower fuel consumption
- Minimized impact on emission systems and make it more environmentally friendly

### Multiple applications

- ▶ Different boom, arm and bucket combinations can provide excellent all-around versatility
- ▶ Multi-functional work tool system can meet various operational requirements including digging, breaking and so on.

### Comfortable operating experience

- ▶ Air conditioner and heater ensure the appropriate temperature
- ▶ Integrated control panel and large display screen provide multiple information
- ▶ Faster data management, more efficient control.
- ▶ The cab shock absorption performance is better



### Excellent after-sales service

- ▶ Global after-sales service system and quick response mechanism
- ▶ Real-time technical consultation and maintenance

### Convenient maintenance

- ▶ Easy maintenance design, open the engine hood for no dead angle maintenance.

### Safe and durable

- ▶ Upgrade undercarriage to improve load bearing performance
- ▶ Strengthen the key stress-bearing parts of chain links
- ▶ ROPS certified cab for added safety
- ▶ Strengthen the H-beam section to greatly increase the strength of the end face

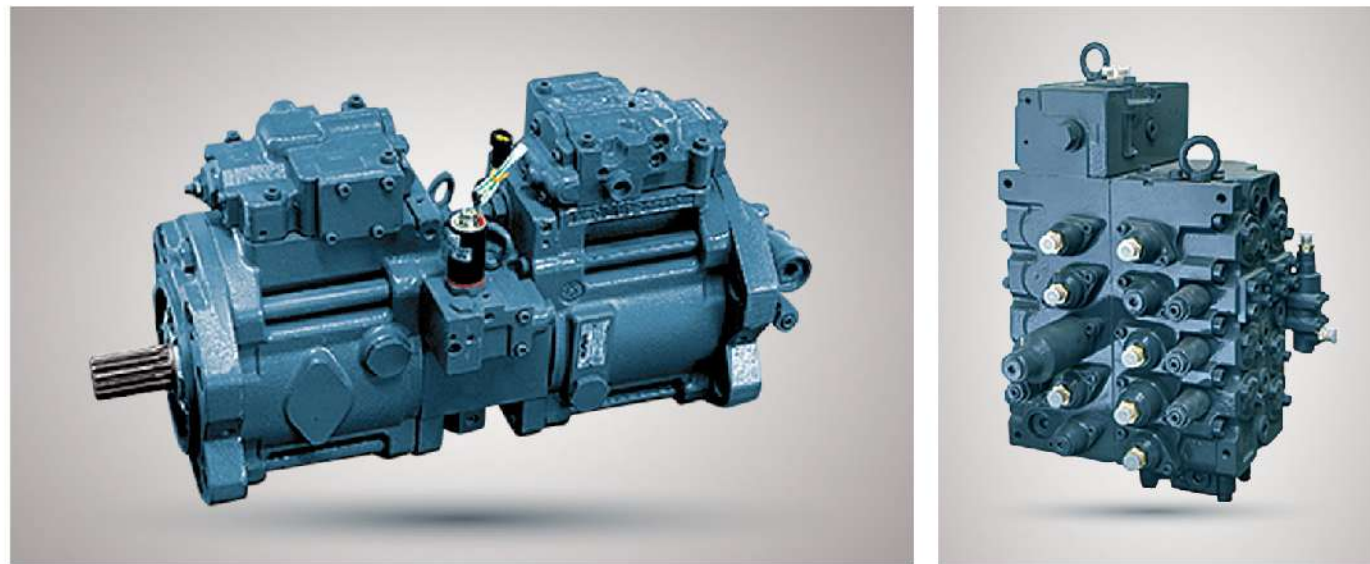
## Ecological And Economical

### Powerful engine

- ▶ With the original imported 128.5kW high-power engine, and XCMG's proprietary and exclusive technology, the whole machine features low-speed and high-torque, high-pressure injection, stronger power and better fuel economy. The new high-efficiency main pump is fully upgraded. With large displacement (7% larger than the previous generation), it is more efficient, less leakage under the same pressure, and with swashplate swing angle, power density can be increased and thus much more work can be done. A new generation high-efficiency main valve is featured with greater relief pressure, smaller pressure loss and more outstanding working capacity. The new safe joystick can prevent the vehicle action caused by misoperation from damaging the human body, which is safer and more reliable. The latest power matching technology, optimized fuel power curve, can save up to 7% fuel. The new type of radiator with integral brazing technology and robot welding is equipped with a positive pressure degassing expansion tank to improve the life of the pump, quickly remove the gas in the engine and waterway, reduce rust, and meet the requirements of 50 °C environment.
- ▶ Adopting XCMG's proprietary matching technology to achieve higher operation efficiency and lower fuel consumption, and the oil efficiency ratio is higher among the same class at home and abroad. The hydraulic system, after continuous optimizations and improvements, possesses higher maneuverability, which can deliver more precise control, and better leveling and loading performance.

### Efficient hydraulic system

- ▶ World-renowned brand main valve features valve confluence, regeneration, priority and other functions.
- ▶ Double-pump constant-power negative-flow hydraulic system, fully absorbing engine power, has larger system flow, lower pressure loss, excellent compound operation and good economy.
- ▶ Instantaneous boost function, through the handle boost button, instantaneously improve the digging force, overcome the arduous resistance, in order to cope with complex working conditions.



## Comfortable And Reliable

### Comfortable

- ▶ Spacious, comfortable and safe cab, AM/FM radio, cigarette lighter and other facilities.
- ▶ The silicone rubber spring composite damper is used to greatly reduce the vibration and impact in a certain frequency band.
- ▶ High-grade suspension woven seat is adjustable in all directions, has good ventilation, and can thus reduce the operator's fatigue.
- ▶ High-power air conditioner and heater has double-stage air filtration. The all-round stereo air outlet can realize multiple air blowing modes, which makes the operation more comfortable.

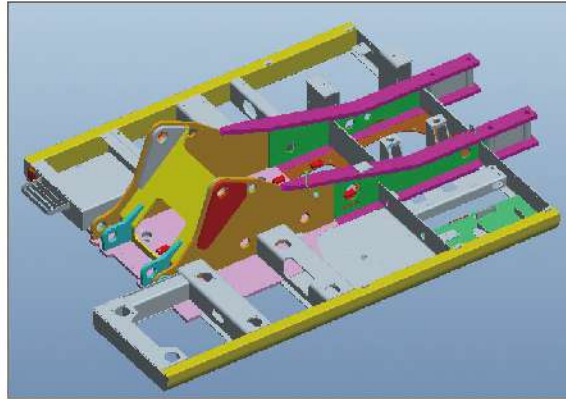


### Reliable

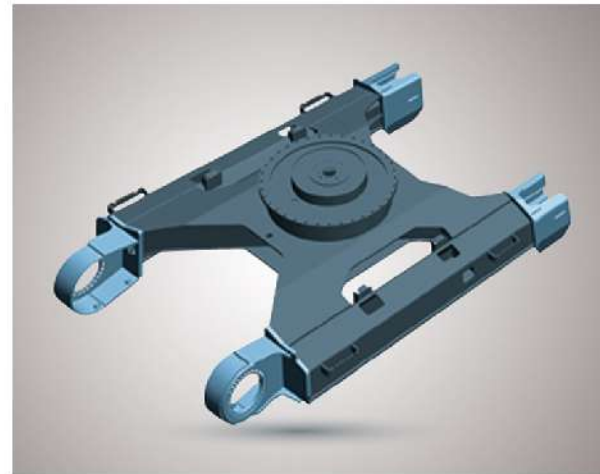
- ▶ Forgings are used at key hinge points to greatly improve load bearing capacity and durability
- ▶ The root of the boom adopts double dovetail design to reduce stress concentration, increase the thickness of the front casting and improve the torsional bearing capacity.



- ▶ The arm adopts a box structure, and the thickness of the plate in local area is increased to improve the torsional resistance and impact resistance.



- ▶ The main beam of the turntable adopts the H-type structure, and the side beam adopts "D-section" structural steel, which has higher overall reliability.



- ▶ The main beam of the turntable adopts the H-type structure, and the side beam adopts "D-section" structural steel, which has higher overall reliability.



- ▶ XCMG's self-made sprocket, idler, carrier roller, track roller and crawler, partially strengthening the track chain links, which can improve wear resistance and double the service life



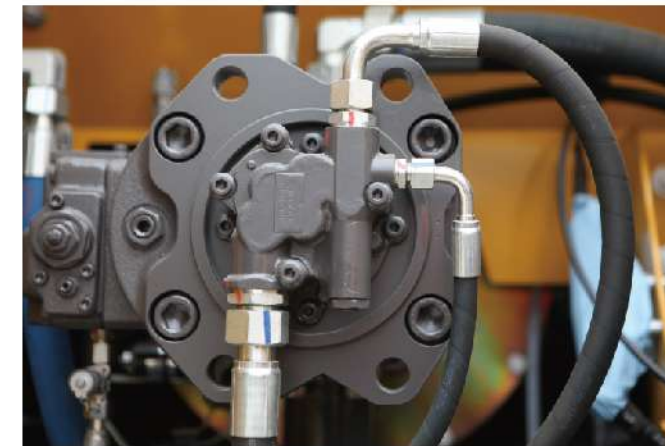
- ▶ The cab seat is equipped with a seat belt; the safety lock handle is used to prevent misoperation; the fire extinguisher bracket and the safety escape hammer are arranged.

## Maintenance And Service

- ▶ Open hood, all maintenance points are accessible on the ground level



- ▶ Air conditioner outer filter cleaning: open the outside cab cover with key to facilitate the cleaning of the air conditioner outer filter
- ▶ Adopt the maintenance-free air pre-filter with self-cleaning function



### Multiple Applications Conditions

The independently developed multi-functional intelligent work tool control system can realize crushing, shearing, cleaning, compacting, milling, transporting, pinching, grasping, scraping, loosening, lifting, and other operations, and can truly integrate multiple operations into one machine.

With first-rate digging force, the machine can be fully competent under complicated working conditions.



**Standard Equipment**

|                       | Name of equipment                                      | XE215C     |
|-----------------------|--|------------|
| Engine                | Engine model   | CC-6BG1TRP |
|                       | Automatic preheating                                   |            |
|                       | Oil-water separator with water level indication sensor |            |
|                       | Radial seal air cleaner                                |            |
|                       | Air prefilter  |            |
|                       | 50°C high temperature ambient cooling assembly         |            |
|                       | Radiator dust screen                                   |            |
|                       | Fuel marker  |            |
|                       | Oil-water quick release device                         |            |
|                       | Fuel breather valve                                    |            |
|                       | Air pressure difference indicator                      |            |
|                       | Automatic idle speed                                   |            |
|                       | Boom/arm flow regeneration                             |            |
|                       | Instantaneous force                                    |            |
| Pilot oil filter      |  |            |
| Hydraulic system      | Reverse rotation damping valve                         |            |
|                       | Automatic rotation parking brake                       |            |
|                       | Hydraulic buffer valve                                 |            |
|                       | Straight hydraulic circuit                             |            |
|                       | Boom priority valve                                    |            |
|                       | Rotary logic valve                                     |            |
|                       | Hydraulic oil ISO VG 46                                |            |
|                       | Rotary anti-sway valve                                 |            |
|                       | Gauge pressure monitoring                              |            |
|                       | Pressurized cab  |            |
| Cab and interior trim | Fully adjustable mechanical suspension seat            |            |

|   |   |  |
|---|---|--|
| Cab and interior trim                               | Adjustable seat armrest   |  |
|   | Seat belt (51 mm [2 "] wide)  |  |
|   | Openable windscreen with auxiliary device   |  |
|   | Front windshield divided by 70/30 ratio   |  |
|   | Double laminated windshield and other toughened windows   |  |
|   | Sliding door upper window   |  |
|   | Bi-directional air outlet air conditioner with defroster (automatic type) (pressurization function)                               |  |
|   | Color liquid crystal display capable of displaying warning information, filter / liquid replacement information and working hours |  |
|   | Control handle  |  |
|   | Travel control pedal with detachable manual control lever   |  |
|   | Two stereo speakers   |  |
|   | Beverage cup holder   |  |
|   | Coat and hat hook   |  |
|   | Cleanable floor mat   |  |
| Safety and security configuration                   | Air conditioning system   |  |
|   | High and low gears shift  |  |
|   | One-key boost mode  |  |
|   | Reserve switch for working aids   |  |
|   | Electric sunshade curtain   |  |
|   | Top sunroof   |  |
|   | Intermittent multi-gear wiper   |  |
|   | Cup holder/envelope   |  |
|   | Cold and warm storage box   |  |
|   | Radio receiver  |  |
| Driving door locks and cabin locks                  |   |  |
| Alarm horn  |   |  |
| Isolation plate between engine and oil pump chamber |   |  |
| Rear window emergency exit                          |   |  |

|                                   |  |
|-----------------------------------|--|
|                                   | Battery circuit breaker  |
|                                   | Boom and arm retaining valve   |
|                                   | Overheat alarm   |
|                                   | Safety handrails and pedals  |
| Safety and security configuration | Anti-skid plate/anti-skid paste  |
|                                   | Hydraulic safety locking lever   |
|                                   | Emergency escape hammer  |
|                                   | Left and right rearview mirrors  |
|                                   | Counterweight rearview mirror  |
| Chassis system and shield         | Bottom frame traction ring   |
|                                   | 600 mm (24 ") three-rib track shoe   |
|                                   | Protective device kit: chassis bottom sealing plate, walking motor sealing plate |
| Working device                    | Boom   |
|                                   | Arm 2.91 m   |
|                                   | Bucket 1.05M <sup>3</sup> Strengthened Bucket                                    |
|                                   | Battery (2× 850CCA)  |
| Electrical system                 | 70A alternator   |
|                                   | 7.8 kW starter motor   |
| Lighting lamp                     | Right and left boom work lights  |
|                                   | Right working light installed on storage box                                     |
|                                   | Cab interior lighting  |
| Technology                        | Intelligent control system   |
|                                   | Data link socket   |

**Optional Equipment**

|        | Name of equipment                     | XE215C |
|--------|---------------------------------------|--------|
| Engine | Oil-water separator with heater (24V) |        |

|                                   |   |
|-----------------------------------|---|
|                                   | Oil bath type air prefilter                   |
| Engine                            | Electronically controlled silicone oil clutch |
|                                   | Fuel pump 50L/min                             |
|                                   | Coolant heater (fuel type)                    |
|                                   | Rapid fuel filling system                     |
|                                   | Fuel filling pump 50L / min                   |
| Hydraulic system                  | Hydraulic line: breaker and thumb clamp       |
|                                   | Operation mode switching                      |
|                                   | Spare valve                                   |
|                                   | Hydraulic oil ISO VG 32, 68                   |
| Cab and interior trim             | Retractable seat belt (51 mm [ 2 " ] wide)    |
|                                   | Air suspension seat with seat cushion heating |
|                                   | Vehicle mounted oxygen supply device          |
|                                   | Fire extinguisher                             |
|                                   | Explosion-proof valve for arm pipeline        |
|                                   | Roll over protective structure (ROPS)         |
| Safety and security configuration | Counterweight rearview mirror                 |
|                                   | Falling object protective structure (FOPS)    |
|                                   | Explosion-proof valve for boom pipeline       |
|                                   | Rotary alarm lamp                             |
| Chassis system and shield         | 230 mm (24 ") double-rib track shoe           |
|                                   | 700 mm (28 ") three-rib track shoe            |
|                                   | 800 mm (31 ") double-rib track shoe           |
|                                   | 600 mm (24 ") three-rib track shoe            |
|                                   | 800 mm (31 ") three-rib track shoe            |
|                                   | Extended chassis                              |
|                                   | Crawler double guardrail                      |
|                                   | Track rubber block                            |

|                           |   |
|---------------------------|---|
| Chassis system and shield | Full-length track guard ( two-piece, lower frame needs to be replaced ) |
|                           | 0.8-1.0m <sup>3</sup> Rock bucket                                       |
|                           | Boom 5.2m   |
|                           | Arm 2.5m  |
|                           | Arm 2.4m  |
|                           | 0.9-1.05 m <sup>3</sup> Strengthen bucket                               |
|                           | 1.0-1.3m <sup>3</sup> Earthwork bucket                                  |
|                           | Quick coupler   |
|                           | Hydraulic breaker   |
|                           | Hydraulic thumb pliers  |
|                           | Ripper  |
|                           | Vibratory plate compactor   |
| Working device            | Hydraulic shear   |
|                           | Grapples  |
|                           | High frequency crusher  |
|                           | Clamshell bucket  |
|                           | Travel alarm  |
|                           | Scrap grapple   |
|                           | Screening bucket  |
|                           | Camera  |
|                           | 5V USB interface  |
|                           | Pipe grab   |
|                           | 24V cigarette lighter   |
|                           | 12V power interface   |
|                           | Arm 2.4 m   |
| Electrical system         | Travel alarm  |
|                           | Front working light installed on cab top                                |
| Lighting lamp             | Rear working light installed on cab top                                 |

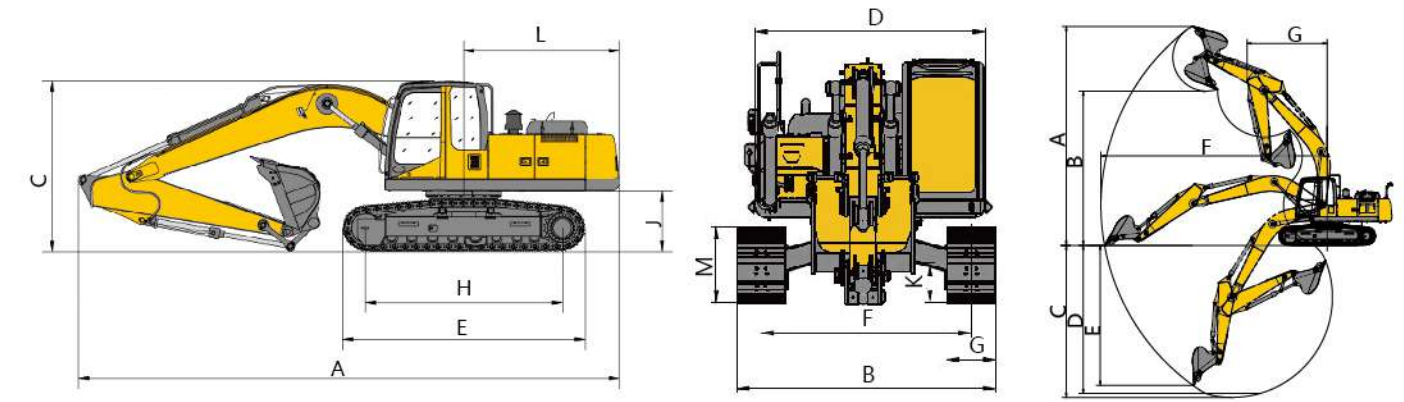
|                    |                                  |
|--------------------|----------------------------------|
| Lubrication system | Electric self-lubricating system |
|                    | Arm concentration                |

### Main Specifications

| Item                       | Unit           | Parameters      |
|----------------------------|----------------|-----------------|
| Model                      | /              | XE215C          |
| Operating weight           | Kg             | 21700           |
| Bucket capacity            | m <sup>3</sup> | 1.0             |
| Engine                     |                |                 |
| Model                      | /              | CC-6BG1TRP      |
| Direct injection           | /              | √               |
| Four strokes               | /              | √               |
| Water Cooling              | /              | √               |
| Turbo-charging             | /              | √               |
| Air to air intercooler     | /              | √               |
| No. of cylinders           | /              | 6               |
| Rated power/speed          | kw/rpm         | 128.5/2100      |
| Maximum torque/speed       | N.m            | 637.9/1800      |
| Displacement               | L              | 6.494           |
| Travel speed (H/L)         | km/h           | 5.5/3.3         |
| Swing speed                | r/min          | 13.2            |
| Main Performance           |                |                 |
| Gradeability               | °              | ≤35             |
| Ground pressure            | kPa            | 49.1            |
| Bucket digging force       | kN             | 149             |
| Arm digging force          | kN             | 111             |
| Maximum tractive force     | kN             | 184             |
| Hydraulic System           |                |                 |
| Main pump                  | /              | Two piston pump |
| Rated flow of main pump    | L/min          | 2×231           |
| Main safety valve pressure | MPa            | 34.3/37         |



| Item             | unit                    | Main specifications  |
|------------------|-------------------------|--|
| Hydraulic System | Travel system pressure  | MPa 34.3   |
|                  | Swing system pressure   | MPa 28   |
|                  | Pilot system pressure   | MPa 3.9  |
| Oil Capacity     | Fuel tank capacity      | L 400  |
|                  | Hydraulic tank capacity | L 220  |
|                  | Engine oil capacity     | L 25   |
| Standard         | Length of boom          | mm 5680  |
|                  | Length of arm           | mm 2910  |
|                  | Bucket capacity         | m <sup>3</sup> 1.0   |
| Optional         | Length of boom          | mm -   |
|                  | Length of arm           | mm 2520  |
|                  | Bucket capacity         | m <sup>3</sup> 0.9/1.0/1.2(Earthwork bucket)<br>0.9/1.0(Strengthened bucket)<br>0.9/1.0(Rock bucket) |



## Working Range

| Item  | Unit | Parameters |
|---|------|------------|
| A Max. digging height                             | mm   | 9620       |
| B Max. dumping height                             | mm   | 6780       |
| C Max. digging depth                              | mm   | 6680       |
| D Maximum depth cut for 2240mm(8 ft) level bottom | mm   | 6320       |
| E vertical wall digging depth                     | mm   | 5715       |
| F Max. digging radius                             | mm   | 9940       |
| G Min. swing radius                               | mm   | 3530       |

## Dimensions

| Item                       | Unit | Parameters |
|----------------------------|------|------------|
| A Overall length           | mm   | 9625       |
| B Overall width            | mm   | 2890       |
| C Overall height           | mm   | 2985       |
| D Width of platform        | mm   | 2830       |
| E Track length             | mm   | 4157       |
| F Overall width of chassis | mm   | 2890       |
| G Track shoe width         | mm   | 600        |
| H Wheel base of crawler    | mm   | 3366       |
| I Track gauge              | mm   | 2290       |
| J Counterweight clearance  | mm   | 1050       |
| K Min. ground clearance    | mm   | 486        |
| L Min. tail swing radius   | mm   | 2844       |
| M Track height             | mm   | 942        |

## Lifting Capacity

| Lifting point height (m) | Rated lift capacity – Straight ahead (back) (kg) |          |         |         |         | Rated lift capacity – over-side (kg) |                          |          |        |         |        |                                    |
|--------------------------|--|----------|---------|---------|---------|--------------------------------------|--------------------------|----------|--------|---------|--------|------------------------------------|
|                          | Lifting point radius (m)                         |          |         |         |         | Lifting capacity at maximum radius   | Lifting point radius (m) |          |        |         |        | Lifting capacity at maximum radius |
|                          | 1.5  | 3        | 4.5     | 6       | 7.5     |                                      | 1.5                      | 3        | 4.5    | 6       | 7.5    |                                    |
| 7.5                      |  |          |         | *3556.9 |         | *2987.1                              |                          |          |        | *3556.9 |        | *2987.1                            |
| 6                        |  |          |         | *3502.6 |         | *3146.1                              |                          |          |        | *3502.6 |        | 2330.1                             |
| 4.5                      |  |          |         | *3994.8 | *3817.2 | 2951.5                               |                          |          |        | 3942.5  | 2594.5 | 1876                               |
| 3                        |  |          | *6268.7 | *4809.1 | 3875.8  | 2661.2                               |                          |          | 6063.5 | 3750    | 2519   | 1658.9                             |
| 1.5                      |  |          | *7992   | 5499    | 3792.4  | 2600.7                               |                          |          | 5680.9 | 3572.8  | 2441   | 1614.4                             |
| Ground                   |  | *4211.4  | 8753    | 5387.8  | 3747.1  | 2667.2                               |                          | *4211.4  | 5523.4 | 3471.1  | 2398.7 | 1650.9                             |
| -1.5                     | *4854.2  | *8582    | 8774.9  | 5380.6  | 3770.7  | 2982.6                               | *4854.2                  | *8582    | 5542.6 | 3464.6  | 2420.7 | 1871.7                             |
| -3                       | *9490.1  | *12967.8 | *8798.1 | 5484.4  |         | 3697.3                               | *9490.1                  | 11752.6  | 5683   | 3559.4  |        | 2371.3                             |
| -4.5                     |  | *10582.1 | 7292.8  |         |         | *4660.3                              |                          | *10582.1 | 7292.8 |         |        | 3622.5                             |

Capacities marked with an asterisk(\*) are limited by hydraulic capacities.